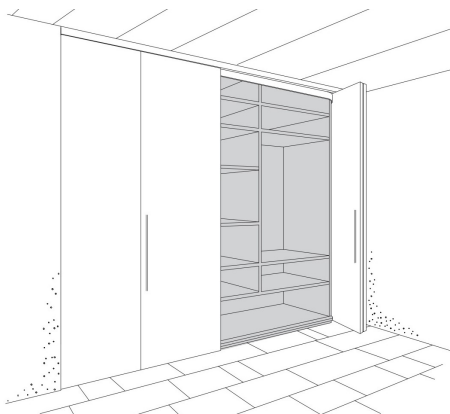
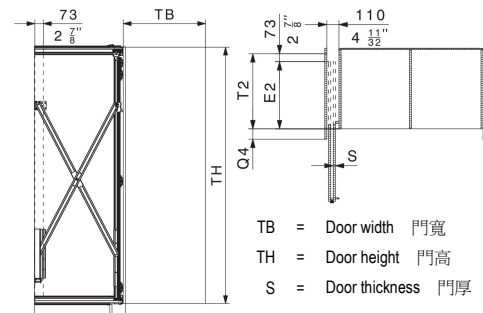


BI-FOLDING PIVOT SLIDE-IN FURNITURE DOORS

Made in Switzerland  
瑞士製造



Folding and sliding all in one simple movement  
簡單的摺疊推拉動作，為家居生活釋放更多的活動空間



T2 = TB + 73 mm - Q4  
E2 ≤ 607 mm  
E2 = T2 - 73 mm  
T2 ≤ 680 mm  
Q4 = 73 mm + S

E2 = Max. slide-in depth measured from the inner side of the closed door  
從閉合門板內側計起的最大推入深度  
T2 = Max. permitted depth for mounting the fittings measured from the inner side of the closed door to the rear edge of the fitting  
從閉合門板內側計起到五金後邊緣的五金安裝最大許可深度

- Convenient closing of doors and elimination of disturbing impact noise thanks to the new dampened hinge  
新型阻尼鉸鏈令閉門的過程變得更輕鬆、更寧靜
- Low slide-in loss of 73 mm in the cabinet depth, and the recess width is only 110 mm  
推入櫃內深度損耗只有 73 mm，收納處寬度僅為 110 mm
- Rattle-proof guides for especially smooth and harmonious movement  
摺疊門的收藏和開關操作順暢
- Reserved elegance inside and outside thanks to black anodized profiles  
黑色氧化鋁材讓櫃內及櫃外保持一樣的優雅
- The combination with HAWA-Concepta enables wardrobes and cabinets with 3-piece doors, in addition to 2-piece or 4-piece  
與單扇垂直收納平開門五金配件 (HAWA-Concepta 25/30/40/50) 組合使用，更大的櫃體寬度也可打開
- All adjustments are easily made from the front  
門的上下、左右及開啟角度均可調節

HAWA-Folding Concepta 25 «new version» hardware system with dampened hinge for folding two wooden doors and sliding them into the side of the cabinet body or wall recess

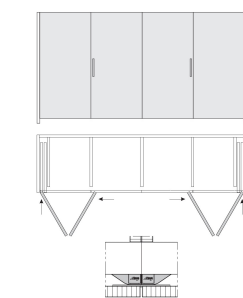
HAWA-Folding Concepta 25 «新版本» 雙扇收納式摺疊木質移門五金連阻尼鉸鏈配件，櫃體或牆體凹陷處兩側的移動門適用

Max. door weight 門承重	: 25 kg (每扇門計); per door pair 50 kg (每對門計)
Door width 門寬度	: 300-700 mm
Door height 門高度	: 1250-2600 mm
Door thickness 門厚度	: 19-26 mm
Top track length 路軌長度	: 1420 mm
(another track length of 2120 mm for 3-door set in combination with HAWA-Concepta 25 is available upon request 另一長度 2120 mm 適用於與 HAWA-Concepta 25 一并使用的 3 門組合，以訂貨形式來供應)	
When opened 打開時	: Full access for cabinet widths up to 2800 mm; doors are sliding into a side pocket flush with cabinet body or recess (no protruding) 全面自由使用櫃體寬度空間最多達 2800 mm，門板完全趟入側口袋時與櫃體或牆體兩側平齊 (零突出)
When closed 閉合時	: Flush with the adjacent areas 與櫃/牆體兩側平齊

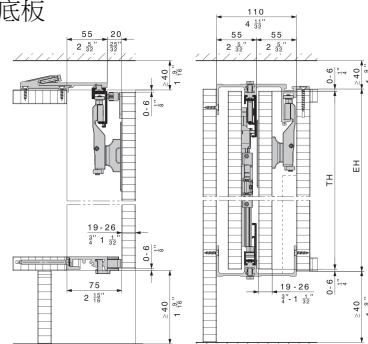
Model No. 型號	Door Height 門高度	Door Handing 開門方向	Colour 顏色
HAW-1028A/BK/L	1250-1850 mm	Left 左開	Alu black anodized 氧化鋁黑色
HAW-1028A/L			Alu plain anodized 氧化鋁銀色
HAW-1028A/BK/R		Right 右開	Alu black anodized 氧化鋁黑色
HAW-1028A/R	1851-2600 mm	Left 左開	Alu plain anodized 氧化鋁銀色
HAW-1028B/BK/L			Alu black anodized 氧化鋁黑色
HAW-1028B/L		Right 右開	Alu plain anodized 氧化鋁銀色
HAW-1028B/BK/R	1851-2600 mm	Right 右開	Alu black anodized 氧化鋁黑色
HAW-1028B/R			Alu plain anodized 氧化鋁銀色

Flexible design options  
多樣設計選擇

Standard cabinet unit with overlaying fronts with bottom profile  
標準櫃體帶外掛式門板連櫃底板



Flush door positioning with base profile and linear ramp  
斜接板使門板齊平定位



EH = Installation height 安裝高度  
TH = Door height 門板高度



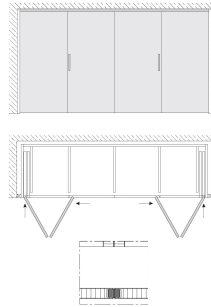
BI-FOLDING PIVOT SLIDE-IN FURNITURE DOORS

Made in Switzerland  
瑞士製造

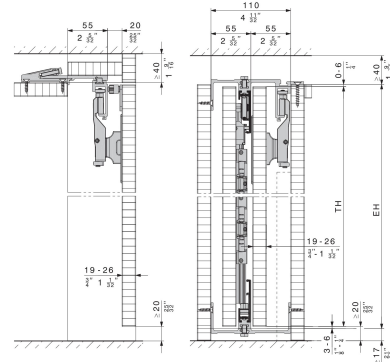


Room-high wall recess without a cabinet base (for example, walk-in closets with uninterrupted flooring)

牆體凹陷處含天花板連接的門板，無需櫃底板 (適用例子如大型衣櫥，地下無間斷)



Flush door centering with magnetic centering elements  
磁吸配件使門板齊平定位

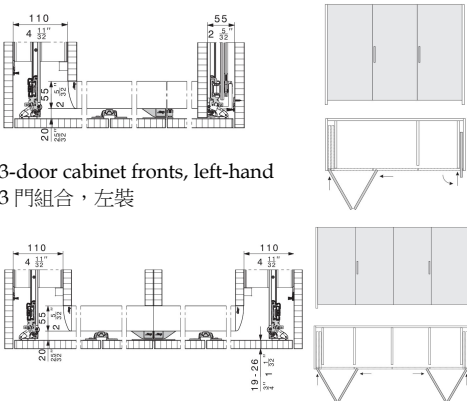


EH = Installation height 安裝高度  
TH = Door height 門板高度



3-door combination, left, with HAWA-Concepta, is possible with a track length of 2120 mm. The black anodized profiles also give sheer elegance both outside and in.

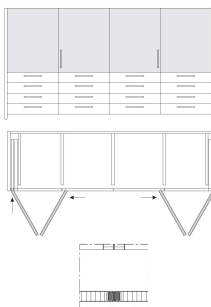
使用 2120 mm 長的頂路軌，可達致與 HAWA-Concepta 一并使用的三門組合(左開)的一體化。另外，黑色氧化鋁材令門外及門內更添優雅。



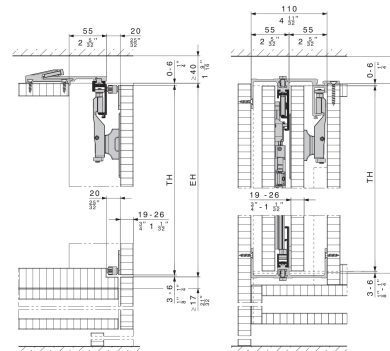
3-door cabinet fronts, left-hand  
3 門組合，左裝

4-door cabinet fronts, double installation  
4 門組合，雙系統

Half-height fronts from the worktop to the top edge of the cabinet  
從櫥櫃枱面到櫃頂的半高門板



Flush door centering with magnetic centering elements  
磁吸配件使門板齊平定位



EH = Installation height 安裝高度  
TH = Door height 門板高度



Door adjustments from cabinet fronts  
從前側調整門板

Door upright adjustment 門垂直角度調節	Door opening angle adjustment 門開角度調節
Door height adjustment 門板高度調節	Door to cabinet gap adjustment 門前後罅隙調節
Horizontal door gap adjustment 門左右罅隙調節	

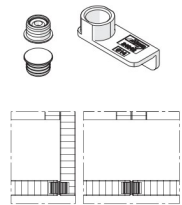
Door positioning / Door centering  
門板定位 / 門板集中

HAW-1018/MC

For indent order only 只供訂貨

Magnetic centering part, alu plain anodized, including drilling jig (for recess cover without a cabinet base and half-height bi-folding pocket doors from the worktop)

鋁質定位磁吸配件，連鑽孔模具 (無需櫃體底板的牆體凹陷處之門板及位處櫥櫃枱面上摺疊推入式門板適用)

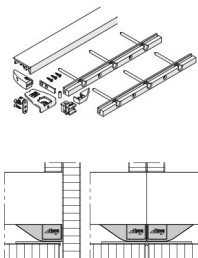


HAW-1018/PS

For indent order only 只供訂貨

Complete set of bottom profile, alu anodized, including cover cap, leading ramp and drilling jig (for overlaying cabinet fronts with cabinet base)

鋁質櫃體底板型材套裝，連裝飾蓋、斜墊及鑽孔模具(含底板的標準櫃體連外掛式門板適用)



Length 長度 : 1300 / 2000 mm  
Finish 顏色 : Alu plain / Alu black  
鋁銀色 / 鋁黑色