

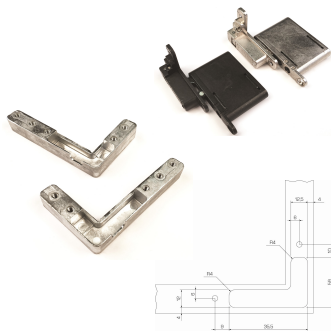
CONCEALED HINGES

Made in Italy
意大利製造

EFFEGIBREVETTI



Ankor-DS recessed hinge in nickel black finish
Ankor-DS 隱形鉸鏈，鍍黑色



HKH-271/Z

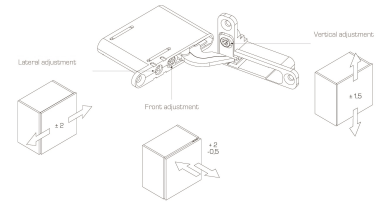
Set of corner brackets (left & right) for aluminium frame door
鋁框門用角碼套裝

Set of Ankor-DS recessed hinge for pivot wooden and framed door
家具木質及有框門用 Ankor-DS 隱形門鉸

Opening angle 開門角度 : 103°
Door thickness 門厚 : 18-32 mm
Suggested door width 建議門寬 : Max. 不超過 600 mm

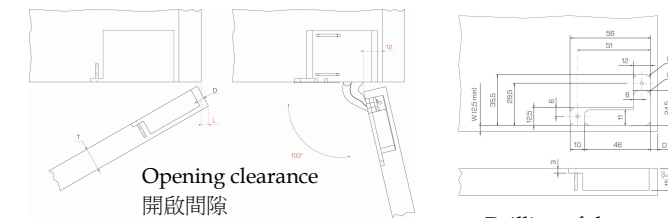
Each set consists of the following parts 每套包括以下配件:
1 pc x left hinge, 1 pc x right hinge & 2 pcs x cover cap
1 隻左鉸、1 隻右鉸及 2 片裝飾蓋

Model No. 型號	Finish 顏色	Type 種類
HKH-271/BK	Nickel black 鍍黑	With soft-closing 帶阻尼關閉
HKH-271/NS	Nickel silver 鍍銀	
HKH-272/BK*	Nickel black 鍍黑	Push 揷彈
HKH-272/NS*	Nickel silver 鍍銀	



■ Door position 3D adjustment:
調較門板 3 維位置:
Horizontal 左右 ±2 mm
Vertical 上下 ±1.5 mm
Depth 前後 +2/-0.5 mm

*Need to order push release device separately
*需另配觸控門鎖配件

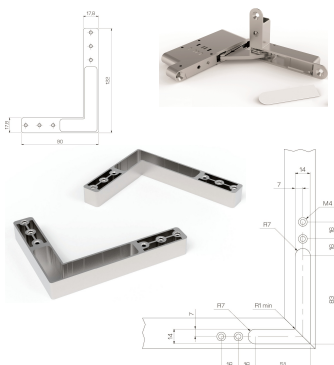


	T=	18	20	22	24	26	28	30	32
D=3	L=	-	0.2	0.5	0.9	1.4	2.1	3.1	4.7
D=4	L=	-	0.2	0.5	0.9	1.4	2	2.9	4.2
D=5	L=	-	0.2	0.5	0.8	1.3	2	2.8	3.9
D=6	L=	-	0.2	0.5	0.8	1.3	1.9	2.7	3.7

Drilling of doors 門板安裝孔位
Drilling of top and bottom panels 上底板與下底板安裝孔位
 $A = (17+D) - S$ $Y = X - W$ $W = X - Y$ $X = W + Y$



Fully integrated into the frame and door, the Ankor DS hinges offer maximum freedom of space inside the cabinet
Ankor DS 鉸鏈完全隱藏在框架和門中，大大提高櫃內空間的自由度



HKH-270/Z

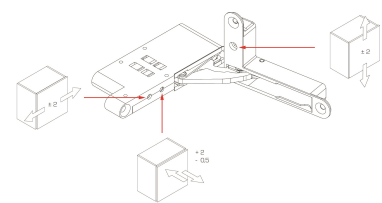
Set of corner brackets (left & right) for aluminium frame door
鋁框門用角碼套裝

Set of Ankor DS-30 heavy duty recessed hinge for pivot wooden and framed door with soft-closing
家具木質及有框門用 Ankor DS-30 重型緩衝隱形門鉸

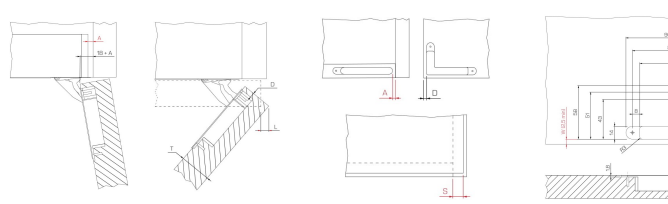
Opening angle 開門角度 : 100°
Loading 承重 : Max. 30 kg per door 每扇門不超過 30 kg
Door thickness 門厚 : 20-40 mm

Each set consists of the following parts 每套包括以下配件:
1 pc x left hinge, 1 pc x right hinge & 2 pcs x cover cap
1 隻左鉸、1 隻右鉸及 2 片裝飾蓋

Model No. 型號	Finish 顏色
HKH-270/BK	Nickel black 鍍黑
HKH-270/NS	Nickel silver 鍍銀



■ Door position 3D adjustment:
調較門板 3 維位置:
Horizontal 左右 ±2 mm
Vertical 上下 ±2 mm
Depth 前後 +2/-0.5 mm



$A = (22.5+D) - S$ $S \text{ max.} = 26.5$ (A min.= 3; D = 7; T max.= 30)

	T=	20	22	24	26	28	30	32	34	36	38	40
D=3	L=	-	-	-	-	-	0.5	1	1.8	2.9	4.3	5.8
D=4	L=	-	-	-	-	0.2	0.5	1	1.8	2.8	4	5.5
D=5	L=	-	-	-	-	0.2	0.5	1	1.6	2.6	3.8	5.1
D=6	L=	-	-	-	-	0.2	0.5	1	1.6	2.5	3.6	4.8
D=7	L=	-	-	-	-	0.2	0.5	1	1.6	2.1	3.3	4.6

Drilling of doors 門板安裝孔位
Drilling of top and bottom panels 上底板與下底板安裝孔位
 $A = (22.5+D) - S$
 $Y = (X-W) - 1$ $W = (X-Y) - 1$
 $X = (W+Y) + 1$