

FOLDING BRACKETS



The sturdy folding L-brackets allow you to create a work surface that can be quickly folded out of the way when no longer needed. 不用時可把托架摺疊起來，非常方便

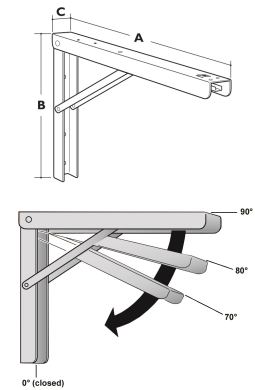
'206' Series folding L-bracket, heavy-duty

'206'系列摺疊托架，重型

Material 材質 : Steel 鋼
Mounting type 安裝方式 : Wall 穩妥牢固地固定在牆上
Application 使用方式 : For 12"-24" (300-600 mm) deep shelving
適用於 12"-24" (300-600 mm) 深的層板

Model No. 型號	Finish 表面處理	Size 尺寸	A (mm)	B (mm)	C (mm)	Load Capacity 承重 (lbs/pair)
HKH-241A/WH	White 白色	12"	300	200	15	750
HKH-241A/ZC	Zinc 鍍鋅					
HKH-241B/WH	White 白色	16"	400	270	20	880
HKH-241B/ZC	Zinc 鍍鋅					

- adjustable to 4 positions: 90°, 80°, 70° and 0° (closed position)
可調節托架開啟角度至 90°、80°、70° 及 0° (關閉位置)
- the folding brackets allow you to create a surface that can be easily be folded out of the way when not in use
不使用時能夠方便地摺疊起來，可有效利用空間
- the convenient one-handed release mechanism makes the bracket easy to open, close and adjust
只需單手便可把托架打開、關閉和調整，操作簡單
- long-lasting, corrosive resistant finishes
持久耐腐蝕的表面處理

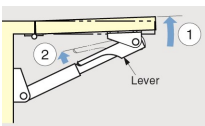


'388' series folding bracket with lock lever

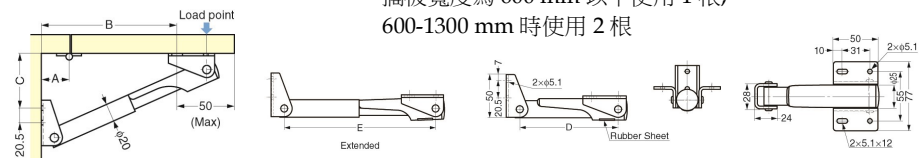
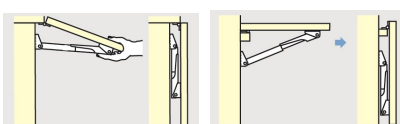
'388'型伸縮式托架帶鎖定杆

Material 材質 : Aluminium alloy 鋁合金
Finish 表面處理 : Anodized 陽極氧化
Shelf thickness 板材厚度 : 15-35 mm
Required quantity 建議使用數量 : Width up to 600 mm: 1 pc;
width up to 600-1300 mm: 2 pcs
擱板寬度為 600 mm 以下使用 1 根;
600-1300 mm 時使用 2 根

How to release the lock 操作方法



Application examples 使用例子



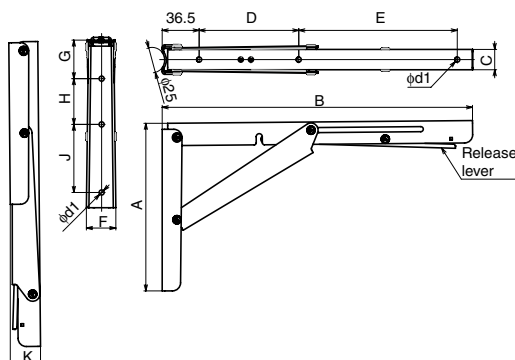
Model No. 型號	A (mm)	B (mm)	C (mm)	D (mm)	E (mm)	Load capacity 承重
HKH-5003/20	28-30	161	15	114	180	250 N/pc 25 kgf/pc
HKH-5003/30	28-39	252	45	168	275.9	309 N/pc 31 kgf/pc
HKH-5003/45	28-50	402	87	258.5	430.8	330 N/pc 33 kgf/pc
HKH-5003/60	28-40	549	137	368.5	585.8	360 N/pc 36 kgf/pc



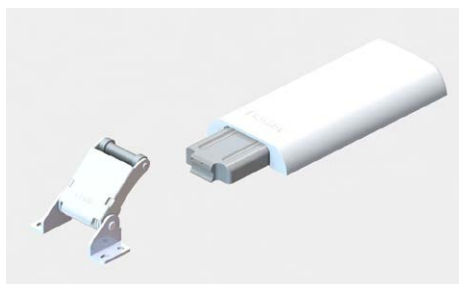
Item Name	A	B	C	D	E	F	G	H	J	K	d ₁
EB-200/EP	116	199.5	20	155	-	29	21	80	-	28.5	5
EB-303/EP	165	305.5	24	98	156	36	38	45	67	30	6
EB-317/EP	171	317	24								

Features

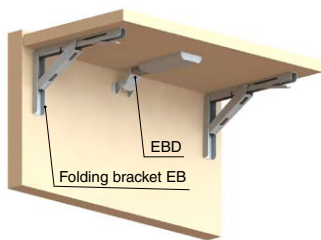
- Automatically locks when flap is in opened position.
- Press lever to release the lock.
- Bracket with hinge function in one unit.



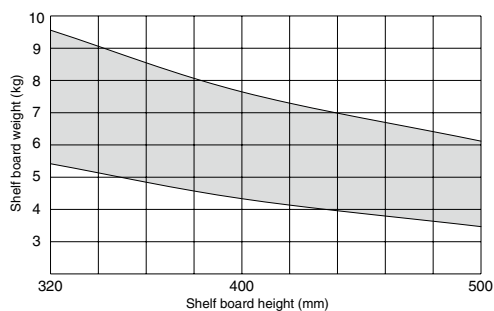
CAD	Item Code	Item Name	Material	Finish	Load Capacity N	Load Capacity kgf	Weight (g)	Box (pcs)	Carton (pcs)
2D/3D	120-041-277	EB-200/EP	Stainless Steel (SUS304)	Mirror	1716	175	332	50	-
2D/3D	120-018-226	EB-303/EP	Stainless Steel (SUS304)	Mirror	1471	150	500	20	-
2D/3D	120-041-278	EB-317/EP	Stainless Steel (SUS304)	Mirror	1961	200	750	25	-



Application Example



Shelf board Size Range



Features

- Designed for use in combination with EB folding bracket.
- Lapcon damper mechanism prevents shelf from slamming when released.
- Installation position is easy to determine with supplied template.

Remarks

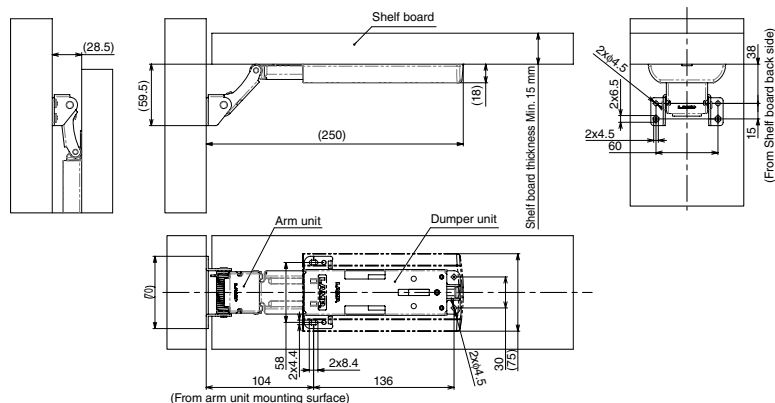
- Make sure to have sufficient in installation place strength.
- Please completely close shelf board with hands.

Parts Included

- Binding head tapping screw 4x16
- Template

Sold Separately

Folding bracket EB



CAD	Item Code	Item Name	Material	Finish	Maximum Door Moment N-m	Maximum Door Moment kgf-cm	Flap thickness	Weight (g)	Box (pcs)	Carton (pcs)
2D/3D	120-034-867	EBD	ABS/POM/Steel	Off-White/Zinc/Chrome	8.5 - 15	86.7 - 153.0	Min. 15	400	1	20

Soft-close



- Can be folded when not in use, allowing full use of space.
- The built-in damper allows for soft-close motion.
- Automatically locks when flap is in opened position. The lock can be easily released by pushing the lever.
- Keeps in folded position and has click sound when fully closed.
- Can also be used with the EB-303 (without damper type). **1**
- No hinges are needed.

[Application]

• Shelves and tables (garages, recreational vehicles, commercial facilities, factories)

[Parts Included]

• Cross-recessed truss tapping screw ST4.8 x 38, Cross-recessed truss tapping screw ST4.8 x 16 (3 each)

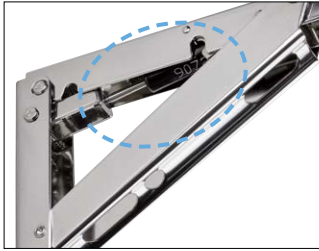
[Optional Parts]

• Folding Bracket EB **1**

[Remarks]

- Used in pairs. (Shelf width: Max. 1300 mm)
- Be careful not to get fingers caught in the bracket.
- Use a long screwdriver for installation.
- Make sure the release lever is attached to bottom of the shelf for correct installation

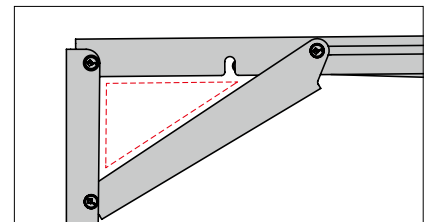
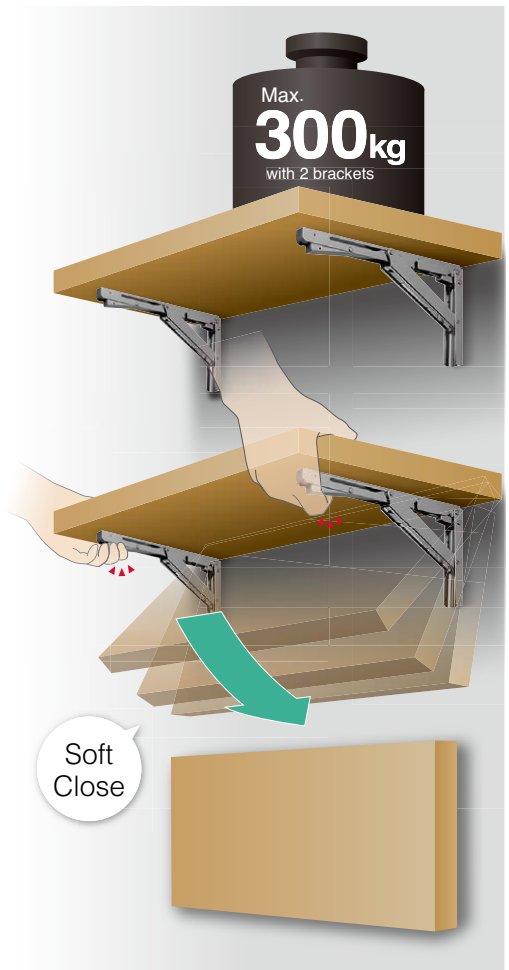
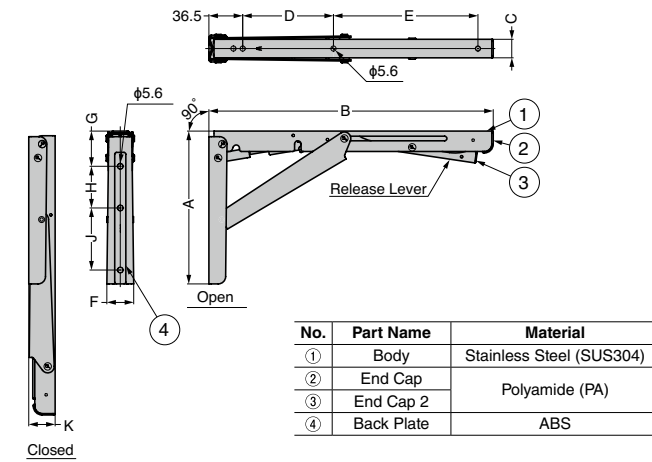
[Built-in Damper]



[End Cap]

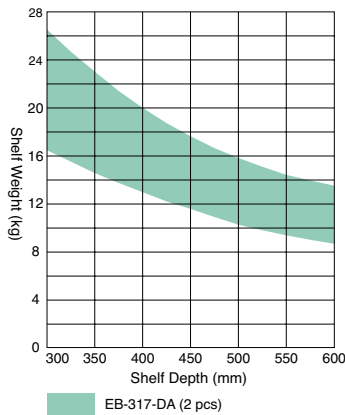
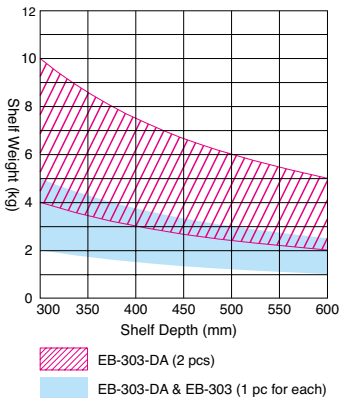


Comes with end caps for safe use.



Be careful not to get fingers caught in this space when folding.

[Product Selection Graph]



RcHS	CAD	Item Code	Item Name	Finish/Colour	A	B	C	D	E	F	G	H	J	K	Holes	Load Capacity N /1pc	Load Capacity kgf /1pc	Weight (g)	Box (pcs)
●	●	120-048-775	EB-303-DA	Mirror Polished	165	307	20	98	156	29	38	45	67	28.5	6	1471	150	525	20
●	●	120-049-237	EB-303-DA-BL	Black						20									20
●	●	120-049-238	EB-317-DA	Mirror Polished	171	318.5	24			36				30		1961	200	775	20
●	●	120-049-239	EB-317-DA-BL	Black						20									20



- Can be folded for saving space when not in use.
- The built-in damper allows for soft closing which prevents accidental shutting.
- Made of aluminium alloy for a lighter body.
- Can also be used together with the 388 bracket. (without damper model) **1**

[Recommended Number of Bracket]

- Shelf width is under 600 mm : 1 pc
- Shelf width is 600-1300 mm : 2 pcs
- *See also the [Selection Guide].

[Parts Included]

- Cross-recessed truss head tapping screw ST4.8 x 38
- Cross-recessed truss head tapping screw ST4.8 x 16

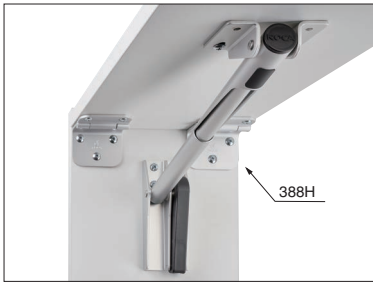
[Optional Part]

- Folding hinge 388 H
- Folding bracket 388

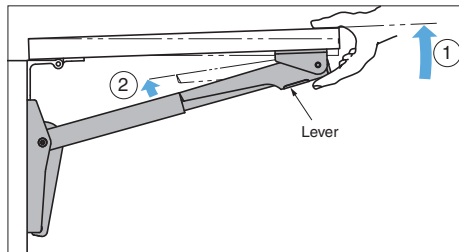
[Remarks]

- When folding/unfolding the brackets, please hold both the shelf and brackets with hands.
- Make enough space for the shelf to lift up. See the [How to Use].
- Recommended shelf thickness: 15 -35 mm
- The load capacity was measured at the position demonstrated in the [Dimensions] drawing below.

[Recommended Hinge] 2

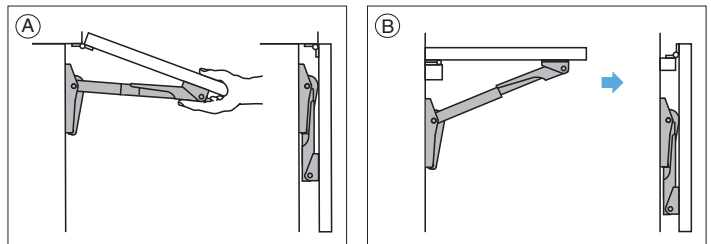


[How to Use]

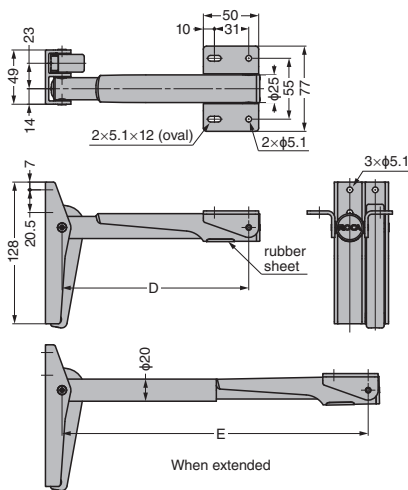


Note: ① Do not lift up the shelf forcibly. It may result in breakage.

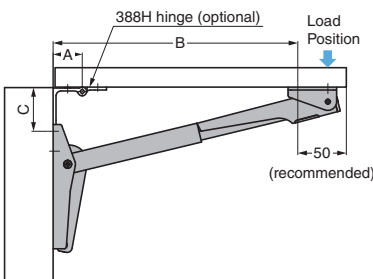
[Installation Example]



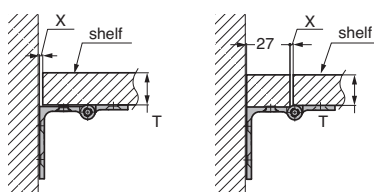
*Installation B: the 388H hinge can not be used.



[Dimensions]

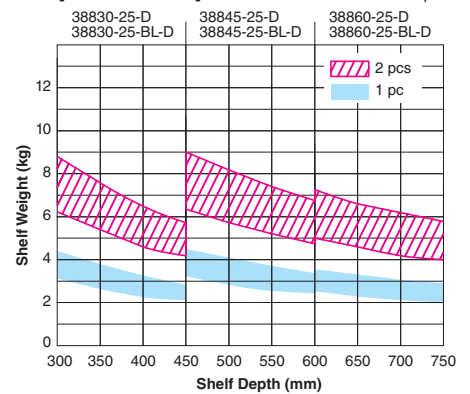


[Installation with the 388H Hinges] 1



Thickness T and Clearance X	
T	X
< 20	1
20 - 40	2

[Selection Guide] Number of Brackets and Shelf Spec



*If 388-D (1pc) is used together with 388 (1pc), please refer to 1 pc of graph above.

RoHS	CAD	Item Code	Item Name	Material	Finish / Colour	A	B	C	D	E	Load Capacity/pc		Weight (g)	Box	Carton
											N	kgf			
●	●	120-048-966	38830-25-D	Aluminium Alloy	Silver Anodised	28-39	252	45	168	275.9	309	31	341	5	50
●	●	120-048-967	38845-25-D			28-50	402	87	258.5	430.8	330	33	411	5	30
●	●	120-048-968	38860-25-D			28-40	549	137	368.5	585.8	360	36	491	5	30
●	●	120-048-969	38830-25-BL-D		Black Anodised	28-39	252	45	168	275.9	309	31	341	5	50
●	●	120-048-970	38845-25-BL-D			28-50	402	87	258.5	430.8	330	33	411	5	30
●	●	120-048-971	38860-25-BL-D			28-40	549	137	368.5	585.8	360	36	491	5	30



388H001



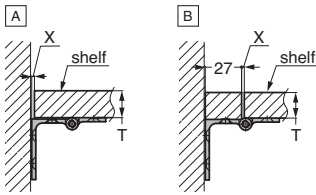
388H000

- For use with the folding brackets 388-D and 388. 1
- Easy to find the right position for the hinges.

[Parts Included]

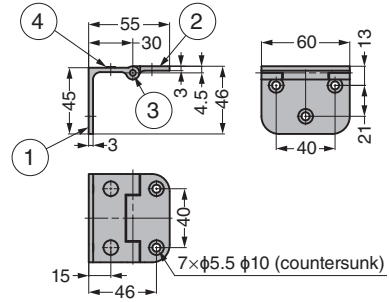
- Cross-recessed countersunk tapping screw 4.8 x 35 (3 pcs)
- Cross-recessed countersunk tapping screw 4.8 x 16 (4 pcs)
- * Finish: anodised / black anodised

[Installation Example]



Thickness T and Clearance X

T	X
< 20	1
20 - 40	2



RoHS	CAD	Item Code	Item Name	Finish / Colour	Weight (g)	Box (pcs)
●	●	120-048-776	388H000	Silver Anodised	53	128
●	●	120-048-777	388H001	Black Anodised		128

No.	Part Name	Material
①	Base	Aluminium Alloy
②	Bracket	
③	Shaft	Stainless Steel
④	Cap	Elastomer (TPE)



Holds at 60/70/80/90 degrees, and folds to 0 degrees.

- Can be folded when not in use, allowing full use of space.
- Holds at 4 angles: 60°, 70°, 80°, 90° (multi angle locking). This makes it perfect for wall display shelves.
- The multi angle locking function prevents the brackets from fully collapsing if the lever is accidentally pulled up.
- Can be used with the interlock lever EB-90. **1** (optional part)
- No hinge is required.

[Application]

- Shelves in garages, commercial facilities, factories, camping vehicles, or workbenches.

[Parts Included]

- Cross-recessed truss head tapping screw ST4.8 x 35
- Cross-recessed truss head tapping screw ST4.8 x 16

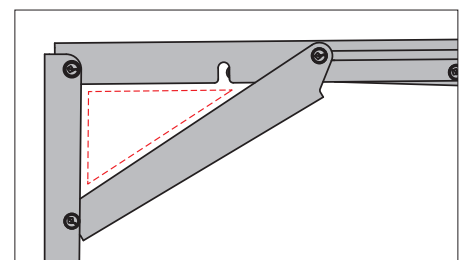
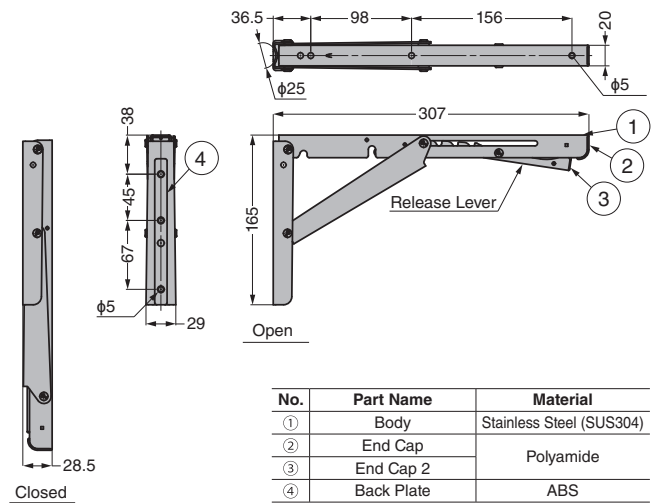
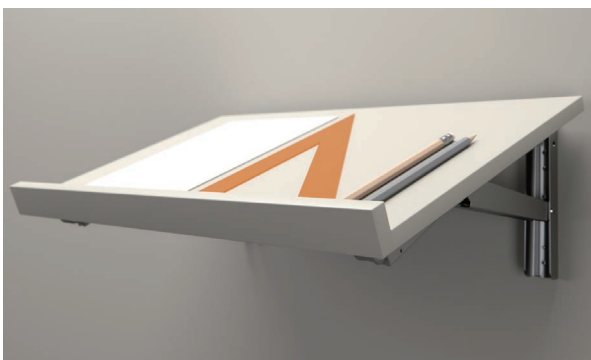
[Optional Parts]

- Interlock lever EB-90. **1**

[Remarks]

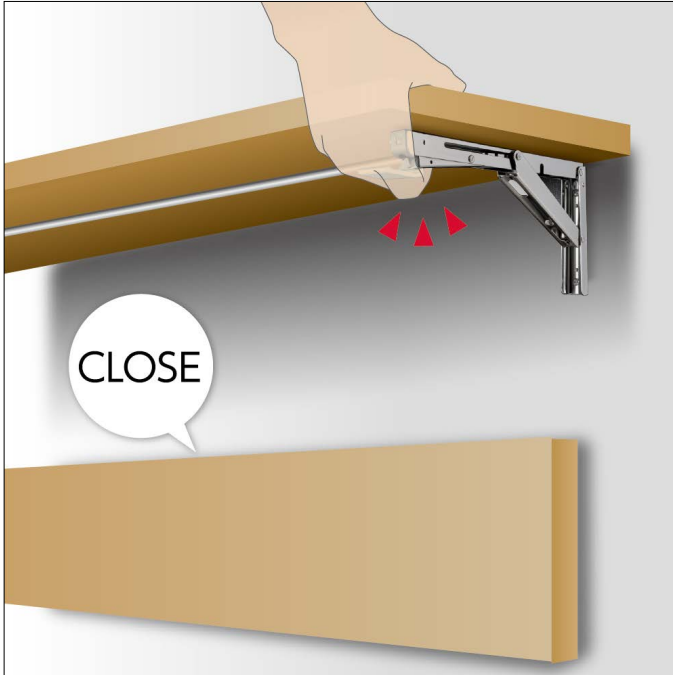
- When folding/unfolding the brackets, please hold both the shelf and brackets with your hands.
- If three brackets are used, please use together with the interlock lever EB-90.
- Be careful not to get fingers caught in the bracket.
- Please use a long screwdriver for easy installation.
- Please make sure the unlocking lever is installed on leading edge side of the shelf.
- Cannot be combined with EB or EB-DA.
- Please make sure the wall can sustain the load.

[Application Example]



Be careful not to get fingers caught in this section when folding.

RcHS	CAD	Item Code	Item Name	Material	Finish	Number of Holes	Load Capacity N/1pc	Load Capacity kgf/1pc	Weight (g)	Box (pcs)
●	●	120-046-398	EB-303-F	Stainless Steel (SUS304)	Mirror Polished	6	1471	150	511	20



Used with the folding brackets.



- Multiple levers allow for one-handed operation.
- Can be used with the EB-DA 1 and EB-F 2 (folding brackets).
- Ideal for use on wide shelves.
- The rod can be cut to desired length.

[Remarks]

- If the rod is used with a length of 700 mm or more, please install the included additional mounting plate on the middle of the rod to prevent warping.
- When folding/unfolding the brackets, please hold both the shelf and brackets with your hands.

[Components]

- For 3 brackets



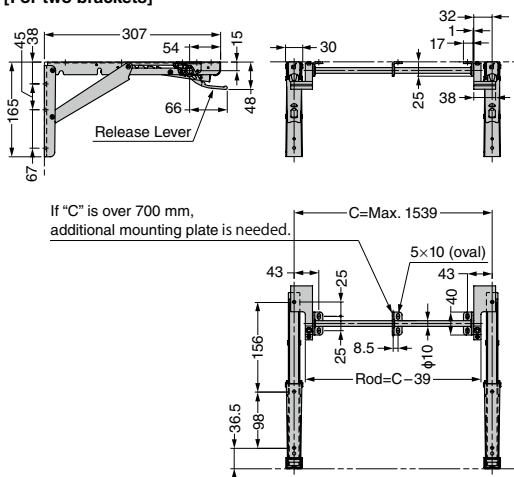
- For 2 brackets



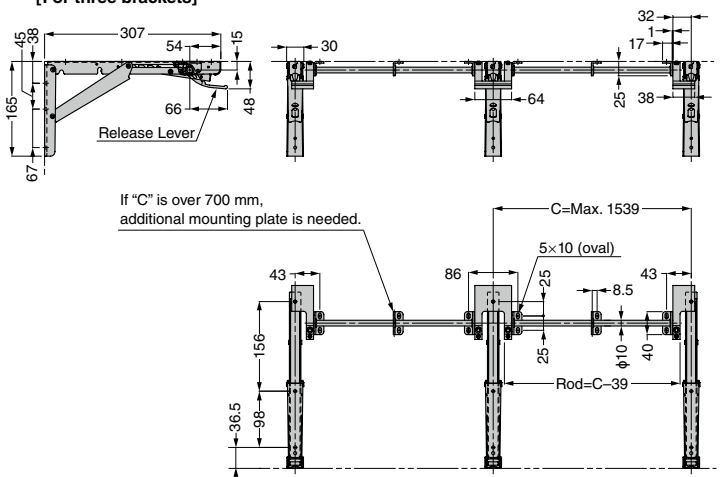
- Rod



[For two brackets]



[For three brackets]



[Lever]

RcHS	CAD	Item Code	Item Name	Type	Material	Finish	Weight (g)	Box (set)
●	●	120-046-395	EB-907560	For 2 brackets	Aluminium Alloy	Anodized	114	34
●	●	120-046-396	EB-907561	For 3 brackets			218	34

[Rod]

RcHS	CAD	Item Code	Item Name	Length	Material	Finish	Weight (g)	Box (pcs)
●	●	120-046-397	EB-907572	1500	Aluminium Alloy	Anodized	98	25